



# Lexmark CX510 Series

## Color Multifunction Laser Product



CX510de

### Fabulous color. Fully loaded.

The Lexmark CX510 color laser multifunction product (MFP) delivers PANTONE® color matching and fast print, fax, copy and scan speeds—plus comes loaded with productivity solutions to help streamline your business. Want more data capacity? Choose the CX510dhe. Want more paper capacity? Get the CX510dthe.

### Accurate color that's brand-worthy.

The Lexmark CX510 Series MFP delivers rich, consistent color printing that can enhance your company's materials and brand. It's faster and more reliable than ever.

**Freedom to print on the fly** – Produce professional color in-house, on demand. With 1 GB of upgradable memory and a dual-core processor, you'll print fast, too.

**Professional color matching** – Lexmark Named Color Replacement and PANTONE® calibration make it easy to develop a consistent brand image by accurately matching your colors.

**High resolution graphics** – With up to true 1,200x1,200 dpi resolution, images and graphics stay crisp. Lexmark's Unison™ Toner ensures consistent quality, too.

**Super fast and quiet output** – Quickly print, copy and scan up to 32 pages per minute in black and color, plus produce a 1-page color document in as little as 11.5 seconds.

### Maximum productivity. Minimum fuss.

Using a multifunction printer is easier than you think. Our system's easy-to-read touch screen saves steps with the press of a button, so you can focus more on business.

**Reliable high performance** – Easily print up to 7,000 pages a month, plus enjoy fewer maintenance hassles, thanks to our state-of-the-art paper handling.

**Run larger jobs without interruption** – With an input capacity of up to 1,450 sheets and extra high yield toner cartridge options, you won't have to add paper or change cartridges as often.

**Smart touch screen and USB port** – The vibrant 7-inch color touch screen provides access to easy-to-use preinstalled productivity solutions. There is a convenient front USB port, too.

**Innovative toner that optimizes performance** – Get greater system performance with Lexmark's Unison™ Toner, which delivers consistent image quality from first print to last.

### Productive workflows. Sustainable design.

Quickly respond to changing business needs with our eco-friendly printers that help streamline your workflow using productivity solutions.

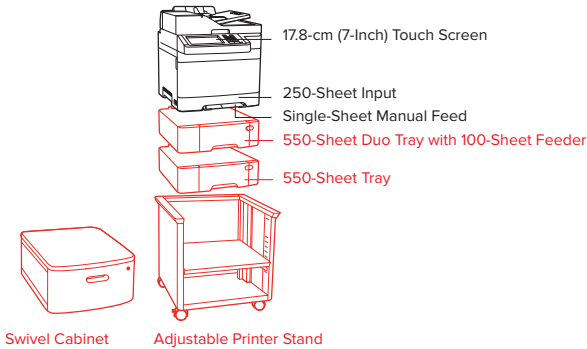
**Work smarter not harder** – If you can use a mobile phone application, you can use our pre-loaded solutions. Touch screen and access shortcuts make it faster and easier to scan, print or send faxes, emails and other business critical documents.

**Enjoy enterprise-level security** – Now you can authenticate, authorize and audit employee usage—plus protect sensitive data using standard network security protocols.

**Save resources and the planet** – An instant warm-up fuser, built-in 2-sided printing, plus Quiet, Hibernate and Eco modes minimize noise and save paper and energy.

**Print anytime and anywhere<sup>6</sup>** – With this system, you can print from desktops as well as mobile devices that can run applications.

# Lexmark CX510 Series Product Specification



Standard  
 Optional

### CX510 Series Product Features



Product specification	Lexmark CX510de	Lexmark CX510dhe	Lexmark CX510dthe
<b>Printing</b>			
Function	Color Scanning, Color Printing, Color Faxing, Color Copying		
Display	Lexmark e-Task 17.8-cm (7-inch) color touch screen		
Print Speed: Up to <sup>4</sup>	Black: 32 ppm / Color: 32 ppm		
Time to First Page: As fast as	Black: 10.5 seconds / Color: 11.5 seconds		
Print Resolution	Black: 4,800 Color Quality (2,400 x 600 dpi), 1,200 x 1,200 dpi / Color: 4,800 Color Quality (2,400 x 600 dpi), 1,200 x 1,200 dpi		
Memory / Processor	Standard: 1024 MB / Maximum: 3072 MB / Processor: Dual Core, 800 MHz		
Hard Disk	Not Available	Included in configuration	Included in configuration
Recommended Monthly Page Volume <sup>2</sup>	1,500 - 7,000 pages		
Maximum Monthly Duty Cycle: Up to <sup>3</sup>	85,000 pages per month		
<b>Copying</b>			
Copy Speed: Up to <sup>4</sup>	Black: 32 cpm / Color: 32 cpm		
Time to First Copy: As fast as	Black: 10.8 seconds / Color: 11.6 seconds		
<b>Color Scanning</b>			
Scanner Type / ADF Scan	Flatbed scanner with ADF / RADF (Reversing Duplex) / 50 pages 20 lb or 75 gsm bond		
Duplex Scan Speed: Up to	A4/Ltr, Black: 13 / 14 sides per minute - A4/Ltr, Color: 13 / 14 sides per minute		
Simplex Scan Speed: Up to	A4/Ltr, Black: 30 / 32 sides per minute - A4/Ltr, Color: 30 / 32 sides per minute		
Optical Scanning Resolution	1,200 X 600 ppi (black), 600 X 600 ppi (color)		
<b>Faxing</b>			
Modem Speed	ITU T.30, V.34 Half-Duplex, 33.6 Kbps		
<b>Supplies<sup>5</sup></b>			
Laser Cartridge Yields	8,000 <sup>1</sup> -page Black Extra High Yield Cartridge, 4,000 <sup>1</sup> -page Color (CMY) Extra High Yield Cartridges, 4,000 <sup>1</sup> -page Black High Yield Cartridge, 3,000 <sup>1</sup> -page Color (CMY) High Yield Cartridges, 2,500 <sup>1</sup> -page Black Cartridge, 2,000 <sup>1</sup> -page Color (CMY) Cartridges, 1,000 <sup>1</sup> -page Black and Color (CMYK) Cartridges		
Cartridge(s) Shipping with Product	8,000 <sup>1</sup> -page Black Extra High Yield Return Program Toner Cartridge, 4,000 <sup>1</sup> -page Color (CMY) Extra High Yield Return Program Toner Cartridges		
<b>Paper Handling</b>			
Included Paper Handling	Single-Sheet Manual Feed, 250-Sheet Input, 150-Sheet Output Bin, Integrated Duplex	Single-Sheet Manual Feed, Integrated Duplex, 150-Sheet Output Bin, 250-Sheet Input	Single-Sheet Manual Feed, Integrated Duplex, 150-Sheet Output Bin, 250-Sheet Input, 550-Sheet Duo Tray with 100-Sheet Feeder
Optional Paper Handling	550-Sheet Duo Tray with 100-Sheet Feeder, 550-Sheet Tray	550-Sheet Duo Tray with 100-Sheet Feeder, 550-Sheet Tray	550-Sheet Tray
Paper Input Capacity: Up to	Standard: 250+1 pages 20 lb or 75 gsm bond / Maximum: 1,450+1 pages 20 lb or 75 gsm bond	Standard: 250+1 pages 20 lb or 75 gsm bond / Maximum: 1,450+1 pages 20 lb or 75 gsm bond	Standard: 900+1 pages 20 lb or 75 gsm bond / Maximum: 1,450+1 pages 20 lb or 75 gsm bond
Paper Output Capacity: Up to	Standard: 150 pages 20 lb or 75 gsm bond / Maximum: 150 pages 20 lb or 75 gsm bond		
Media Types Supported	Refer to the Card Stock & Label Guide, Paper Labels, Card Stock, Transparencies, Plain Paper	Refer to the Card Stock & Label Guide, Paper Labels, Card Stock, Transparencies, Plain Paper	Refer to the Card Stock & Label Guide, Paper Labels, Envelopes, Card Stock, Transparencies, Plain Paper
Media Sizes Supported	Oficio, Universal, Letter, Legal, A5, A4, Executive, Folio, JIS-B5	Oficio, Universal, Letter, Legal, A5, A4, Executive, Folio, JIS-B5	A6, Oficio, Universal, Statement, Folio, DL Envelope, B5 Envelope, A4, 7 3/4 Envelope, 10 Envelope, 9 Envelope, A5, C5 Envelope, Executive, JIS-B5, Legal, Letter
<b>General</b>			
Standard Ports	Rear USB 2.0 Specification Hi-Speed Certified Port (Type A), Gigabit Ethernet (10/100/1000), Front USB 2.0 Specification Hi-Speed Certified Port (Type A), USB 2.0 Specification Hi-Speed Certified (Type B)		
Optional Network Ports / Optional Local Ports	MarkNet N8352 802.11b/g/n Wireless		
Noise Level, Operating	Printing: 50 dBA / Copy: 50 dBA / Scan: 49 dBA Product Warranty		
Product Warranty	1-Year Onsite Service, Next Business Day		
Size (in. - H x W x D) / Weight (lb.)	18.44 x 17.48 x 23.2 in. / 62 lb.	18.44 x 17.48 x 23.2 in. / 62 lb.	23.63 x 17.48 x 23.2 in. / 71.3 lb.

<sup>1</sup> Average continuous black or continuous composite CMY declared cartridge yield up to this number of standard pages in accordance with ISO/IEC 19798. <sup>2</sup> "Maximum Monthly Duty Cycle" is defined as the maximum number of pages a device could deliver in a month using a multishift operation. This metric provides a comparison of robustness in relation to other Lexmark printers and MFPS. <sup>3</sup> "Recommended Monthly Page Volume" is a range of pages that helps customers evaluate Lexmark's product offerings based on the average number of pages customers plan to print on the device each month. Lexmark recommends that the number of pages per month be within the stated range for optimum device performance, based on factors including: supplies replacement intervals, paper loading intervals, speed, and typical customer usage. <sup>4</sup> Print and copy speeds measured in accordance with ISO/IEC 24734, excludes first set of test documents. For more information see: [www.lexmark.com/ISOspeeds](http://www.lexmark.com/ISOspeeds). <sup>5</sup> Product functions only with replacement cartridges designed for use in a specific geographical region. See [www.lexmark.com/regions](http://www.lexmark.com/regions) for more details. <sup>6</sup> For more information on Lexmark Mobile Solutions see: [http://www1.lexmark.com/en\\_US/solutions/business-solutions/mobile-print/index.shtml](http://www1.lexmark.com/en_US/solutions/business-solutions/mobile-print/index.shtml) <sup>7</sup> Printers are sold subject to certain license/agreement conditions. See [www.lexmark.com/printerlicense](http://www.lexmark.com/printerlicense) for details. <sup>8</sup> Duplex (2-sided printing) models are ENERGY STAR compliant.